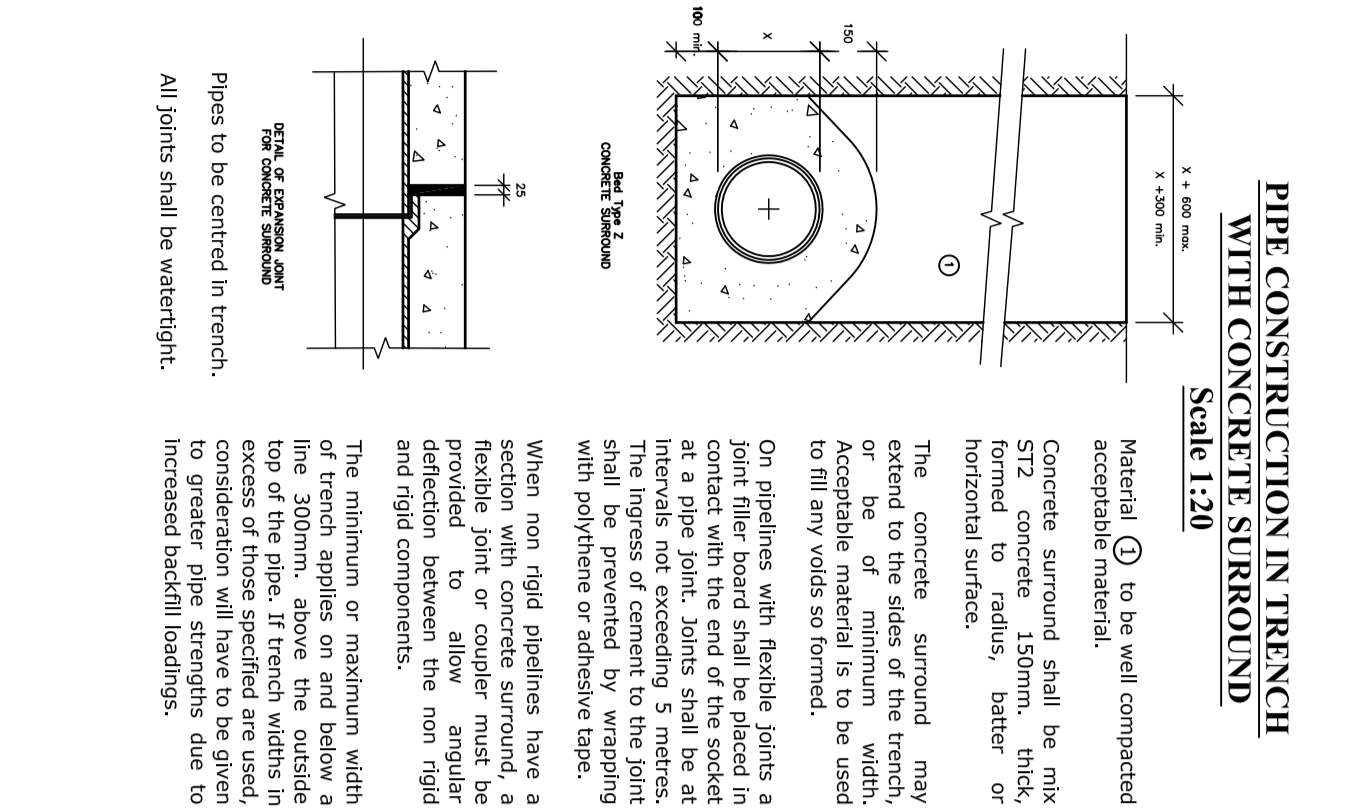
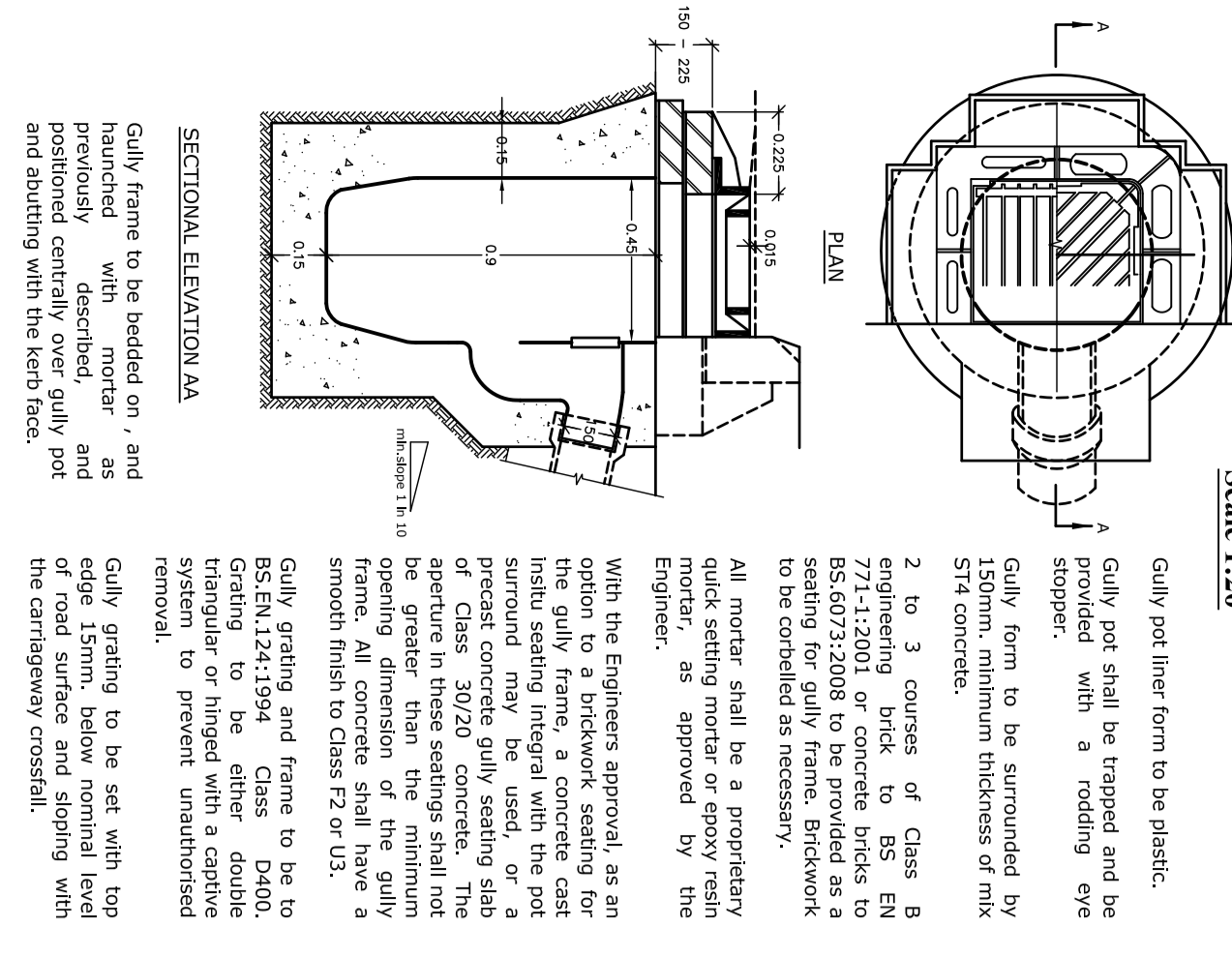


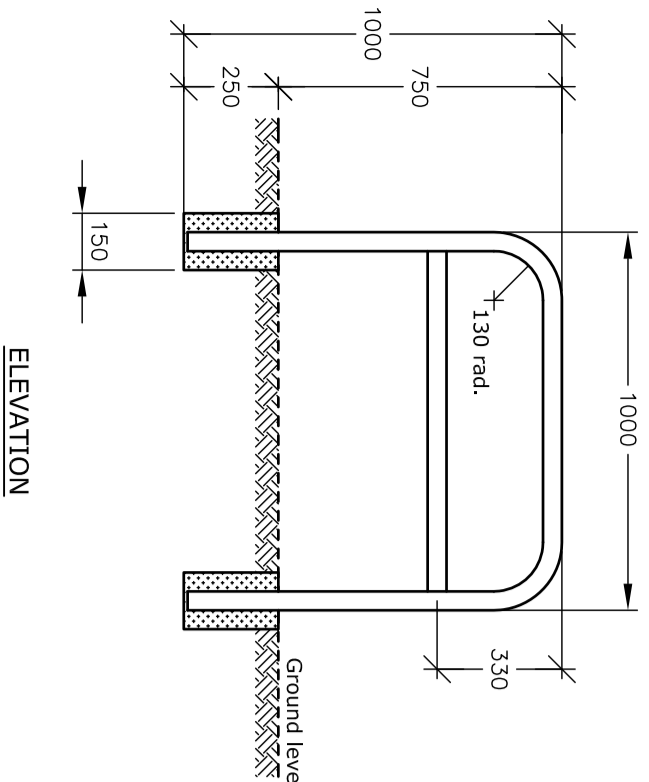
INSITU RAPPED CONCRETE STREET GULLY

Scale 1:30



SHEETPILED BICYCLE PARKING STAND - 1.000m LENGTH

Scale 1:20

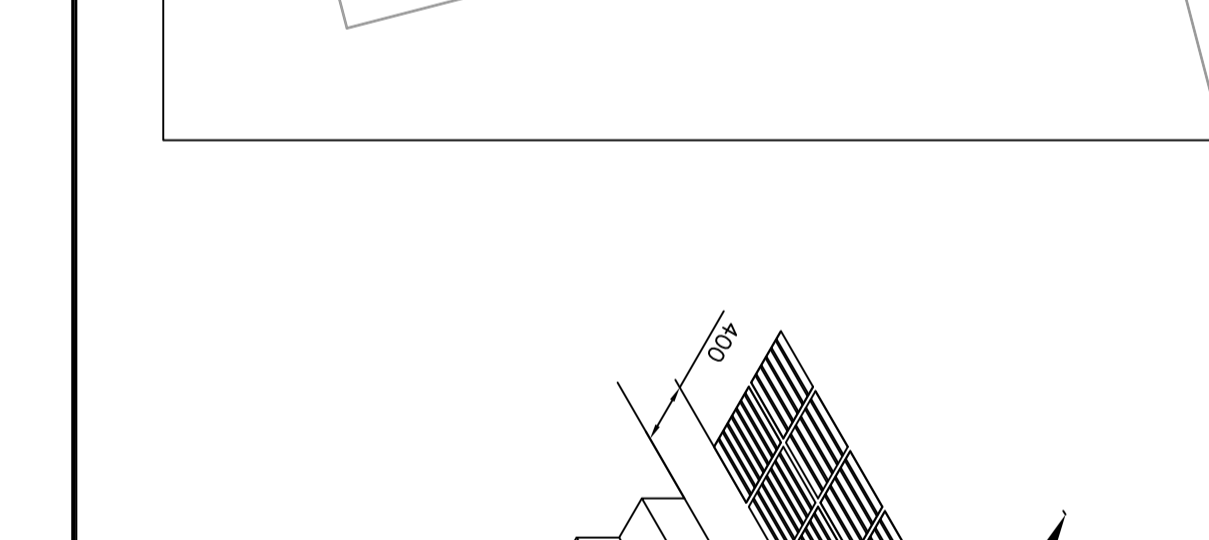
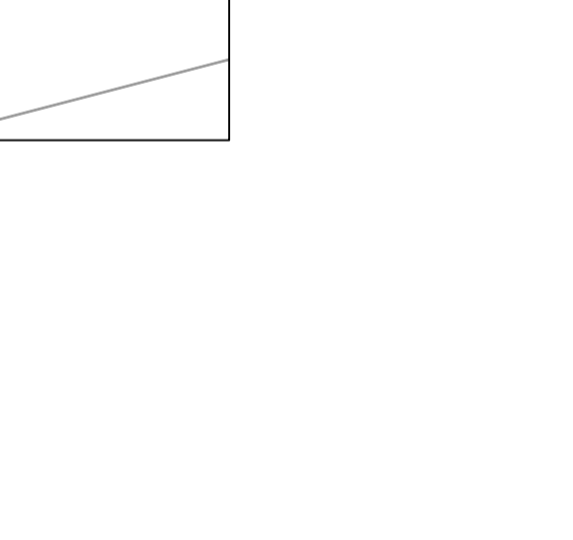
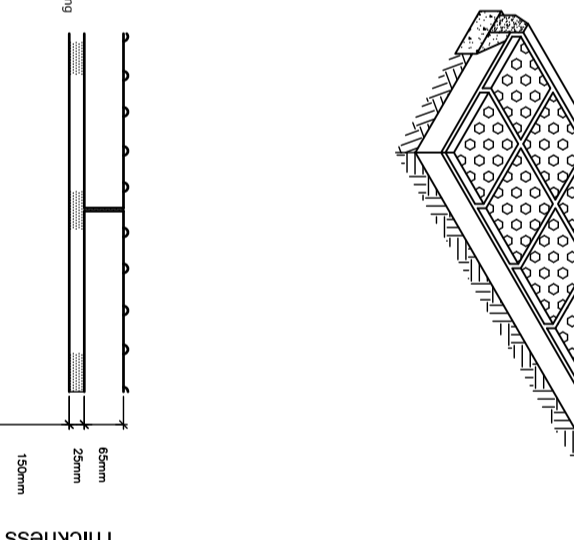
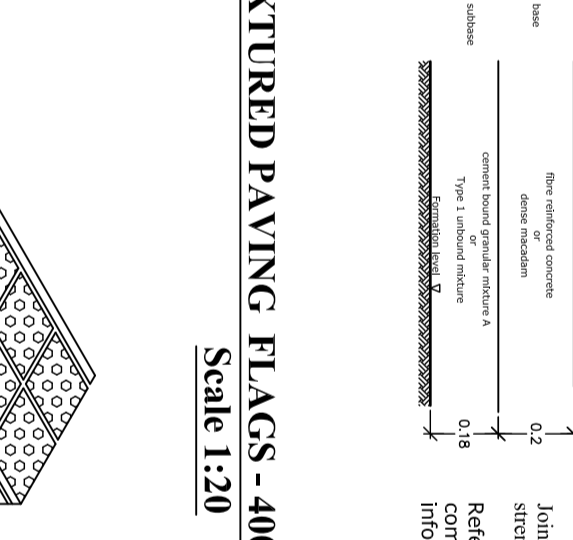
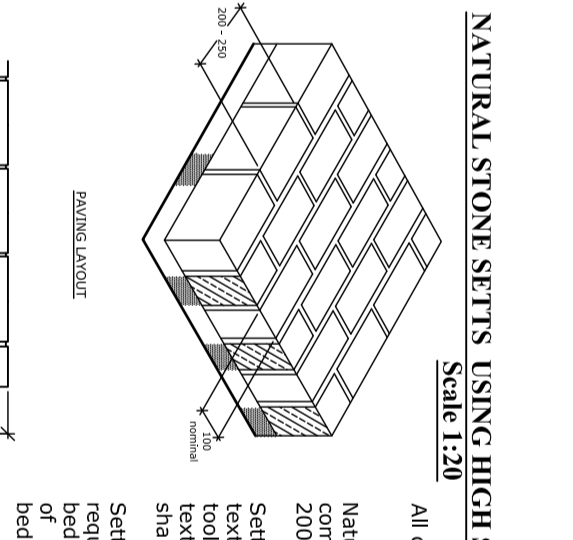
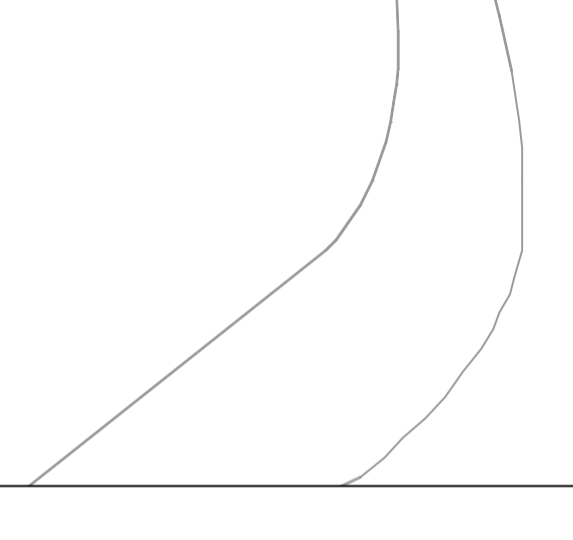
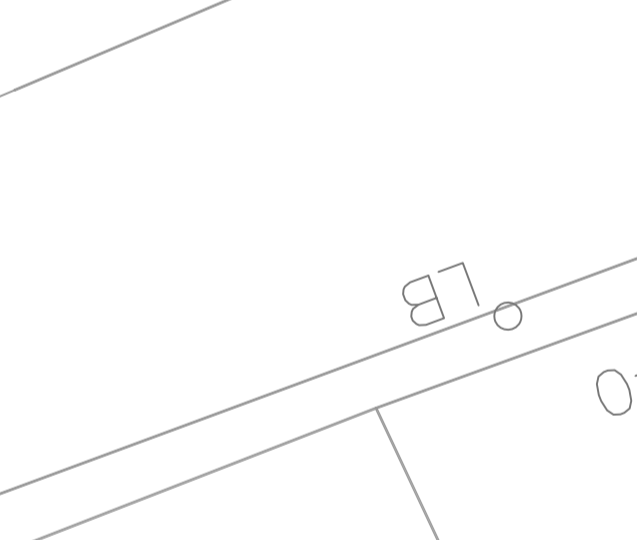
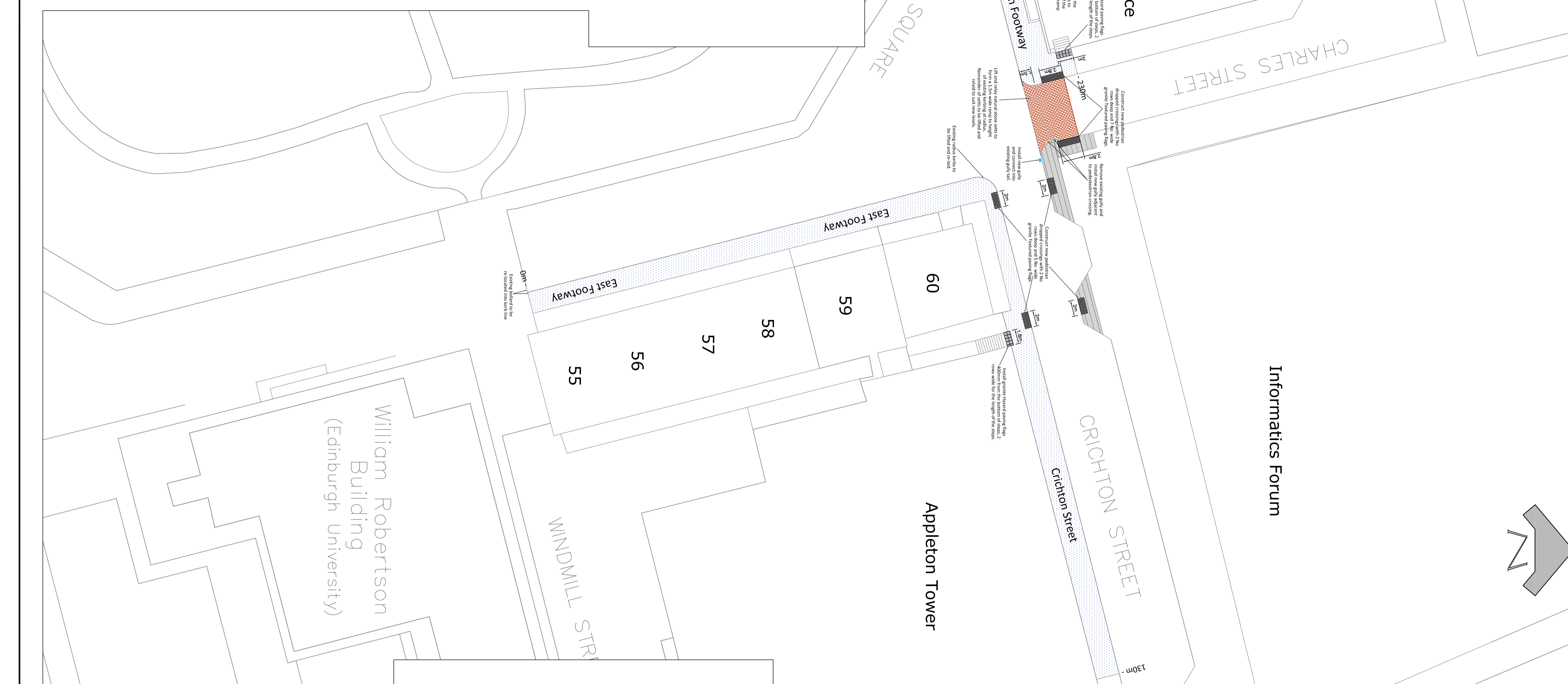


George Square - East Footway FURNITURE SCHEDULE

CD	LOCATION	OBJECTIVE	TYPE	SIZE	ACTION
61	George Square & Crichton Street	Right	Water	<2.25 Sq.m	Raise
62	George Square & Crichton Street	Right	Water	<2.25 Sq.m	Raise
63	George Square & Crichton Street	Right	Water	<2.25 Sq.m	Raise
64	George Square & Crichton Street	Right	Water	<2.25 Sq.m	Raise
65	George Square & Crichton Street	Right	Water	<2.25 Sq.m	Raise
66	George Square & Crichton Street	Right	Water	<2.25 Sq.m	Raise
67	George Square & Crichton Street	Right	Water	<2.25 Sq.m	Raise
68	George Square & Crichton Street	Right	Water	<2.25 Sq.m	Raise
69	George Square & Crichton Street	Right	Water	<2.25 Sq.m	Raise
70	George Square & Crichton Street	Right	Water	<2.25 Sq.m	Raise
71	George Square & Crichton Street	Right	Water	<2.25 Sq.m	Raise
72	George Square & Crichton Street	Right	Water	<2.25 Sq.m	Raise
73	George Square & Crichton Street	Right	Water	<2.25 Sq.m	Raise
74	George Square & Crichton Street	Right	Water	<2.25 Sq.m	Raise
75	George Square & Crichton Street	Right	Water	<2.25 Sq.m	Raise
76	George Square & Crichton Street	Right	Water	<2.25 Sq.m	Raise
77	George Square & Crichton Street	Right	Water	<2.25 Sq.m	Raise
78	George Square & Crichton Street	Right	Water	<2.25 Sq.m	Raise
79	George Square & Crichton Street	Right	Water	<2.25 Sq.m	Raise
80	George Square & Crichton Street	Right	Water	<2.25 Sq.m	Raise
81	George Square & Crichton Street	Right	Water	<2.25 Sq.m	Raise
82	George Square & Crichton Street	Right	Water	<2.25 Sq.m	Raise
83	George Square & Crichton Street	Right	Water	<2.25 Sq.m	Raise
84	George Square & Crichton Street	Right	Water	<2.25 Sq.m	Raise
85	George Square & Crichton Street	Right	Water	<2.25 Sq.m	Raise
86	George Square & Crichton Street	Right	Water	<2.25 Sq.m	Raise
87	George Square & Crichton Street	Right	Water	<2.25 Sq.m	Raise
88	George Square & Crichton Street	Right	Water	<2.25 Sq.m	Raise
89	George Square & Crichton Street	Right	Water	<2.25 Sq.m	Raise
90	George Square & Crichton Street	Right	Water	<2.25 Sq.m	Raise
91	George Square & Crichton Street	Right	Water	<2.25 Sq.m	Raise
92	George Square & Crichton Street	Right	Water	<2.25 Sq.m	Raise
93	George Square & Crichton Street	Right	Water	<2.25 Sq.m	Raise
94	George Square & Crichton Street	Right	Water	<2.25 Sq.m	Raise
95	George Square & Crichton Street	Right	Water	<2.25 Sq.m	Raise
96	George Square & Crichton Street	Right	Water	<2.25 Sq.m	Raise
97	George Square & Crichton Street	Right	Water	<2.25 Sq.m	Raise
98	George Square & Crichton Street	Right	Water	<2.25 Sq.m	Raise
99	George Square & Crichton Street	Right	Water	<2.25 Sq.m	Raise
100	George Square & Crichton Street	Right	Water	<2.25 Sq.m	Raise

George Square (East Footway) & Crichton Street KERBING DETAILS

LOCATION	CHAMBER (m)	START	END	LENGTH (m)	EXISTING	ACTION	PROPOSED	ADDITIONAL
George Square & Crichton Street	0	10	10	1250mm x 250mm Natural Stone Kerb	None	1250mm x 250mm Natural Stone Kerb	30mm	
George Square & Crichton Street	20	20	20	1250mm x 250mm Natural Stone Kerb	None	1250mm x 250mm Natural Stone Kerb	100mm	
George Square & Crichton Street	30	30	30	1250mm x 250mm Natural Stone Kerb	None	1250mm x 250mm Natural Stone Kerb	100mm	
George Square & Crichton Street	40	40	40	1250mm x 250mm Natural Stone Kerb	None	1250mm x 250mm Natural Stone Kerb	100mm	
George Square & Crichton Street	50	50	50	1250mm x 250mm Natural Stone Kerb	None	1250mm x 250mm Natural Stone Kerb	100mm	
George Square & Crichton Street	60	60	60	1250mm x 250mm Natural Stone Kerb	None	1250mm x 250mm Natural Stone Kerb	100mm	
George Square & Crichton Street	70	70	70	1250mm x 250mm Natural Stone Kerb	None	1250mm x 250mm Natural Stone Kerb	100mm	
George Square & Crichton Street	80	80	80	1250mm x 250mm Natural Stone Kerb	None	1250mm x 250mm Natural Stone Kerb	100mm	
George Square & Crichton Street	90	90	90	1250mm x 250mm Natural Stone Kerb	None	1250mm x 250mm Natural Stone Kerb	100mm	
George Square & Crichton Street	100	100	100	1250mm x 250mm Natural Stone Kerb	None	1250mm x 250mm Natural Stone Kerb	100mm	
George Square & Crichton Street	110	110	110	1250mm x 250mm Natural Stone Kerb	None	1250mm x 250mm Natural Stone Kerb	100mm	
George Square & Crichton Street	120	120	120	1250mm x 250mm Natural Stone Kerb	None	1250mm x 250mm Natural Stone Kerb	100mm	



WORKS LOCATION

The contract comprises the reconstruction of the footway and the replacement of street lighting in George Square and Crichton Street, Edinburgh.

START DATE

13th September 2018 for 26 weeks duration to 15th March 2019.

TENDER MANAGEMENT

A tender will be invited from interested parties to submit a tender for the reconstruction of George Square and Crichton Street and to clean George Square Lanes and Charles Street to widening traffic.

REVISIONS

01 - 13th Sept 2018

REVISIONS OF WORKS

01 - 13th Sept 2018

REVISIONS OF WORKS

01 - 13th Sept 2018

REVISIONS OF WORKS

01 - 13th Sept 2018

REVISIONS OF WORKS

01 - 13th Sept 2018

REVISIONS OF WORKS

01 - 13th Sept 2018

REVISIONS OF WORKS

01 - 13th Sept 2018

REVISIONS OF WORKS

01 - 13th Sept 2018

REVISIONS OF WORKS

01 - 13th Sept 2018

REVISIONS OF WORKS

01 - 13th Sept 2018

REVISIONS OF WORKS

01 - 13th Sept 2018

REVISIONS OF WORKS

01 - 13th Sept 2018

REVISIONS OF WORKS

01 - 13th Sept 2018

REVISIONS OF WORKS

01 - 13th Sept 2018

REVISIONS OF WORKS

01 - 13th Sept 2018

REVISIONS OF WORKS

01 - 13th Sept 2018

REVISIONS OF WORKS

01 - 13th Sept 2018

REVISIONS OF WORKS

01 - 13th Sept 2018

REVISIONS OF WORKS

01 - 13th Sept 2018

REVISIONS OF WORKS

01 - 13th Sept 2018

REVISIONS OF WORKS

01 - 13th Sept 2018

REVISIONS OF WORKS

01 - 13th Sept 2018

REVISIONS OF WORKS

01 - 13th Sept 2018

REVISIONS OF WORKS

01 - 13th Sept 2018

REVISIONS OF WORKS

01 - 13th Sept 2018

REVISIONS OF WORKS

01 - 13th Sept 2018

THE CITY OF EDINBURGH COUNCIL
 The City of Edinburgh Council
 Waverley Court
 4 East Market Street
 Edinburgh, EH8 8EG
 Telephone: 0131 200 2000

George Square
 Footway Reconstruction & Lighting Renewal
 East Footway & Crichton Street
 General Layout

Date: Jun 2018
 Scale: 1:250
 DRG. NO. TDD/636972/3/1100

Drawn by: High Machin
 Checked by: David Wilson